

Stk:
Pz:
Pcs:

ART. 2029

WASSERHAHN - RUBINETTO - WATER TAP

Kunde-Cliente-Client

Datum-Data-Date

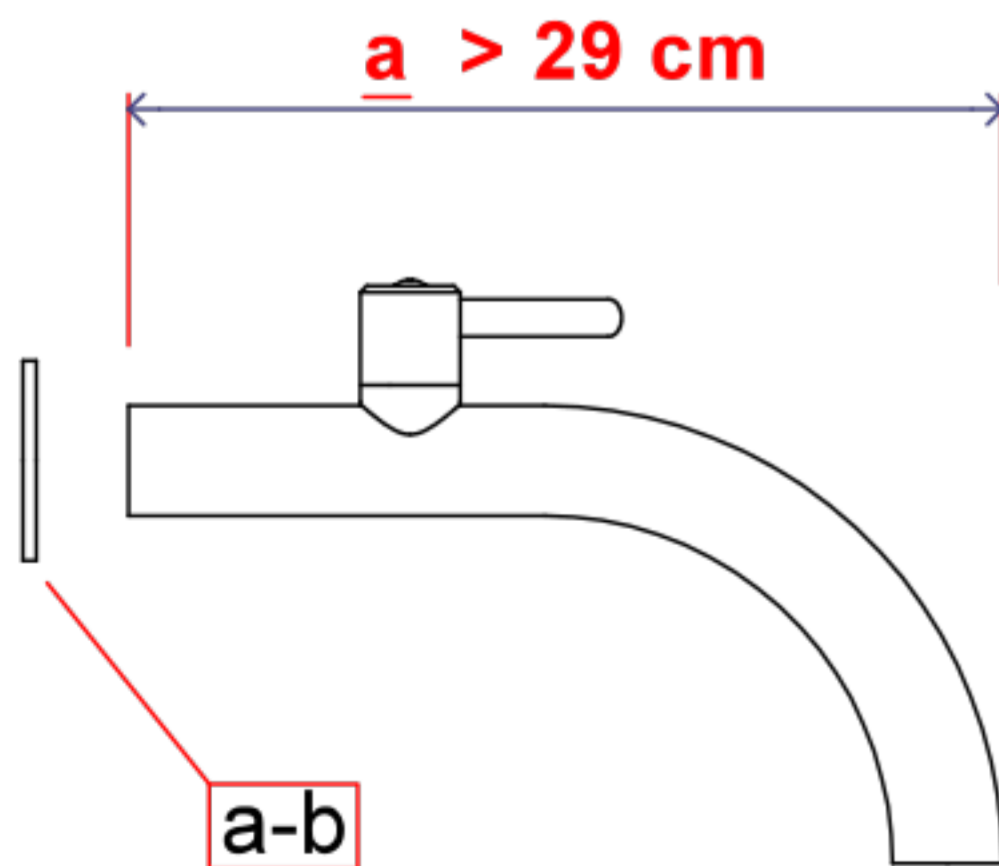
Wasserhahn mit Absperrventil
Rubinetto con valvola di chiusura
Water tap with plug valve

a = _____ cm

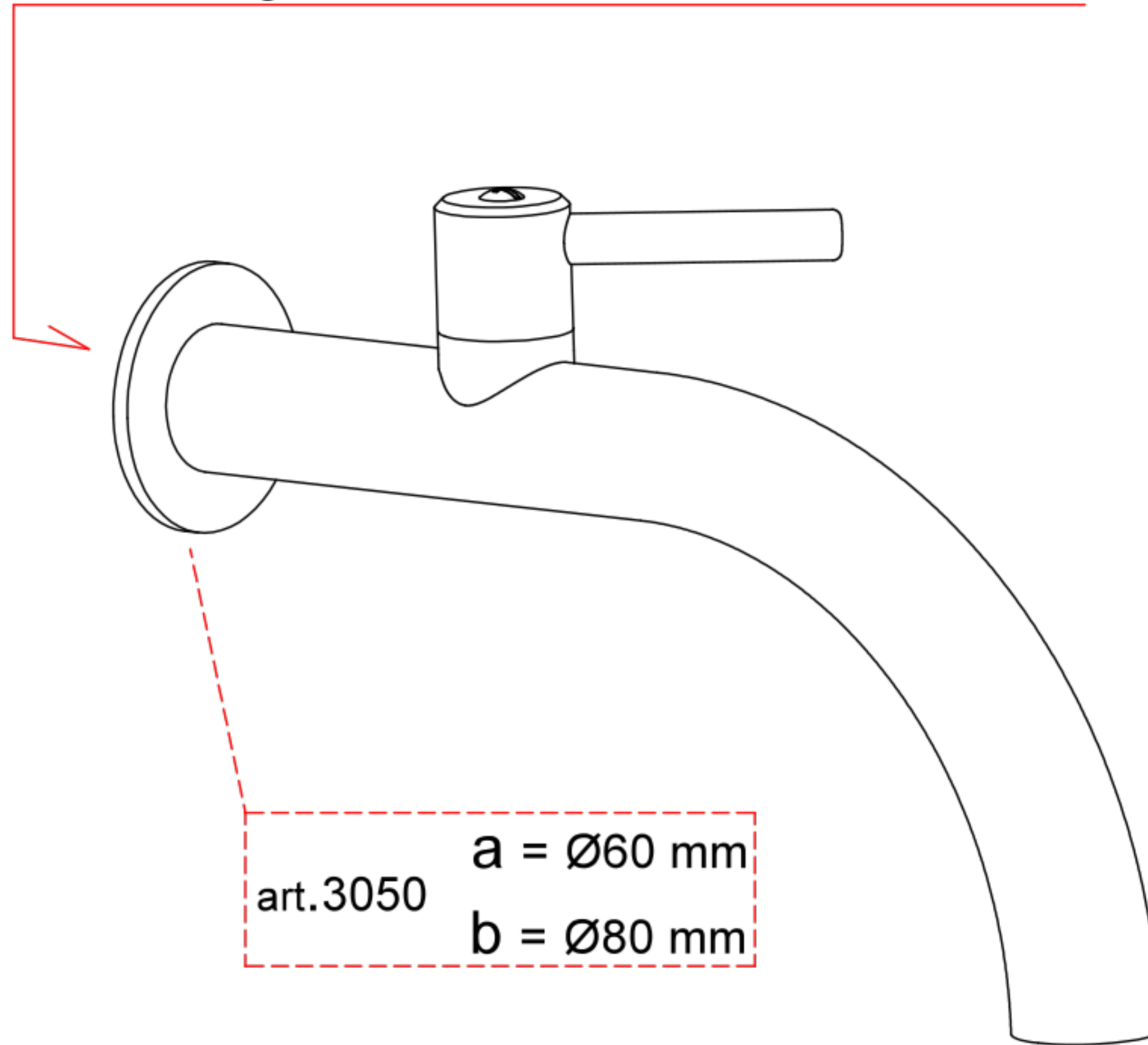
3/4"

1/2"

3050



3/4"
1/2" Innengewinde - Filetto interno - Inner Thread



Ø 33 mm Rohr - Tubo - Tube