

Stk:
Pz:
Pcs:

ART. 2055

WASSERHAHN - RUBINETTO - WATER TAP

Kunde-Cliente-Client

Datum-Data-Date

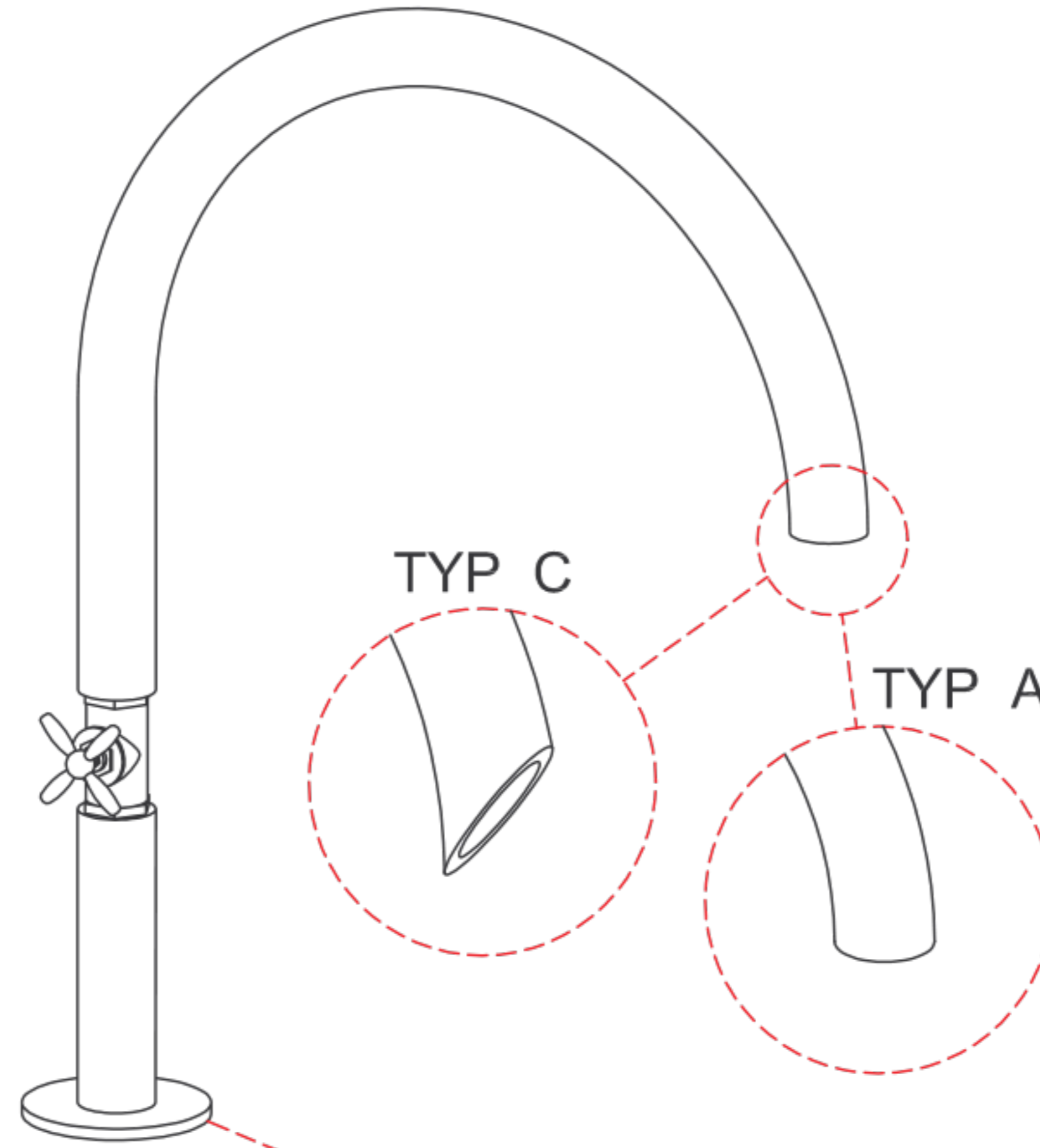
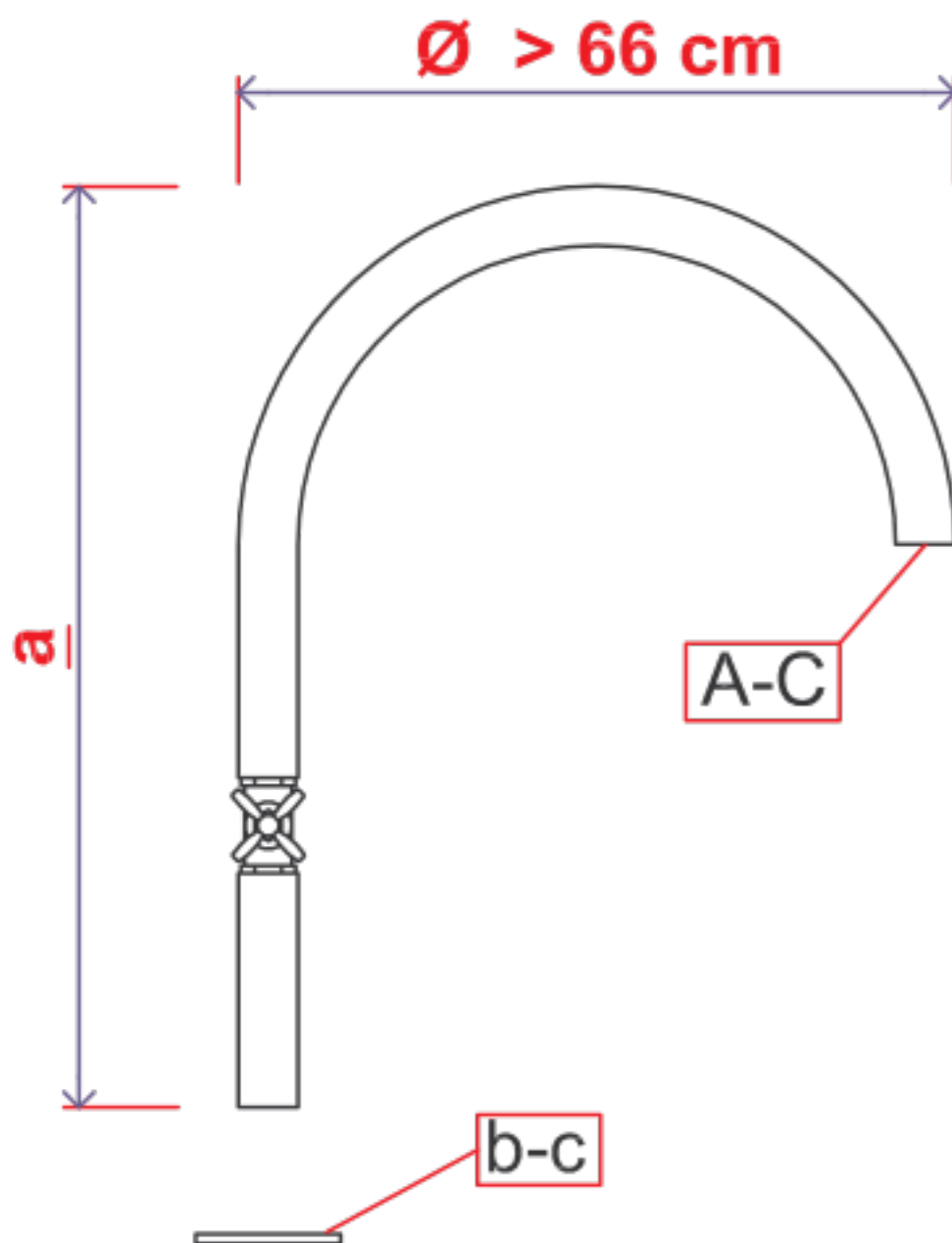
Wasserhahn mit Kreuzabsperrrventil für große Brunnen
Rubinetto con valvola a croce per fontana grande
Water tap with cross valve for big fountain

\varnothing = _____ cm

a = _____ cm

TYP

3050



art.3050 $b = \varnothing 80 \text{ mm}$
 $c = \varnothing 100 \text{ mm}$

1 1/4" Innengewinde - Filetto interno - Inner Thread
 $\varnothing 60 \text{ mm}$ Rohr - Tubo - Tube

Position
Posizione
Position

