

Stk:  
Pz:  
Pcs:

ART. 2065-33

WASSERHAHN - RUBINETTO - WATER TAP

Kunde-Cliente-Client

Datum-Data-Date

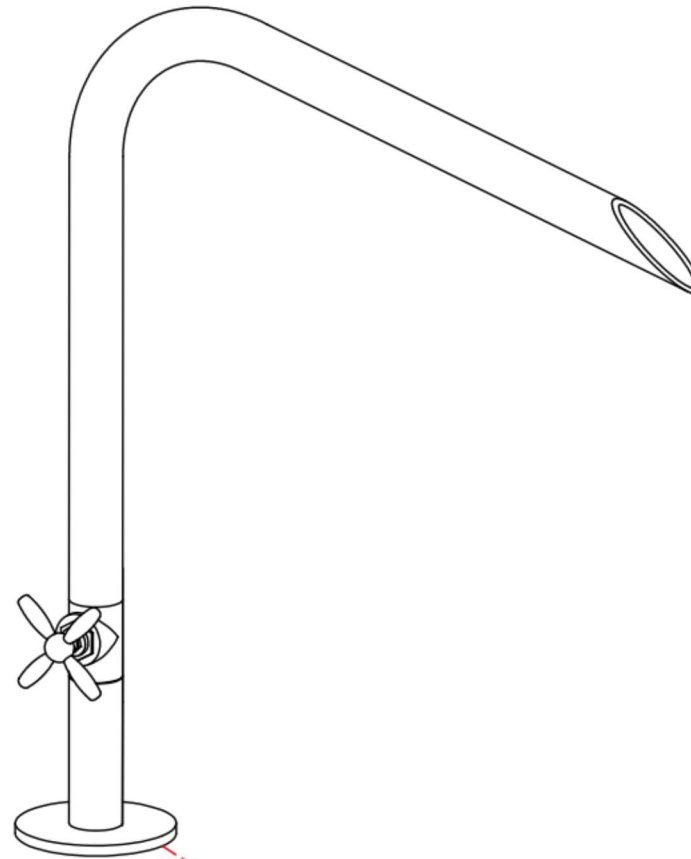
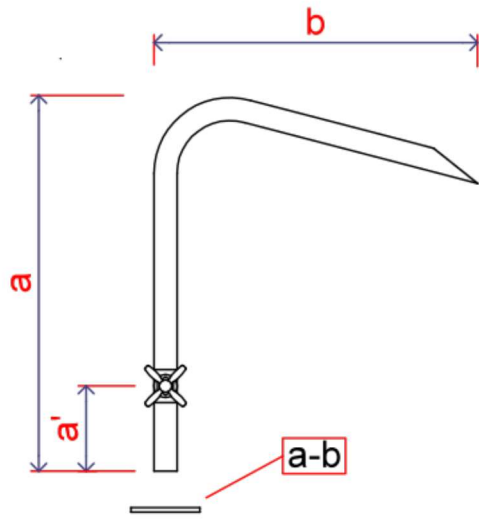
Wasserhahn mit Kreuzabsperrenteil  
und verlängertem Auslauf  
Rubinetto con valvola di chiusura a croce  
e bocca prolungata  
Water tap with cross plug valve  
and extended spout

a = \_\_\_\_\_ cm

a' = \_\_\_\_\_ cm

b = \_\_\_\_\_ cm

3050



art.3050

a = Ø60 mm

b = Ø80 mm

3/4" Innengewinde - Filetto interno - Inner Thread

Ø 33 mm Rohr - Tubo - Tube

Position  
Posizione  
Position

