

Stk:
Pz:
Pcs:

ART. 2072

WASSERHAHN - RUBINETTO - WATER TAP

Kunde-Cliente-Client

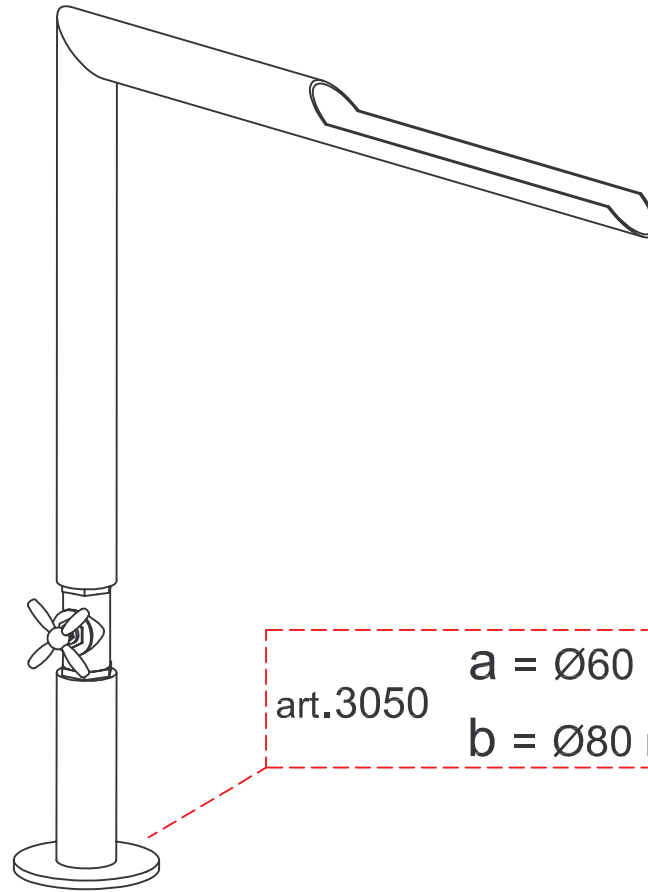
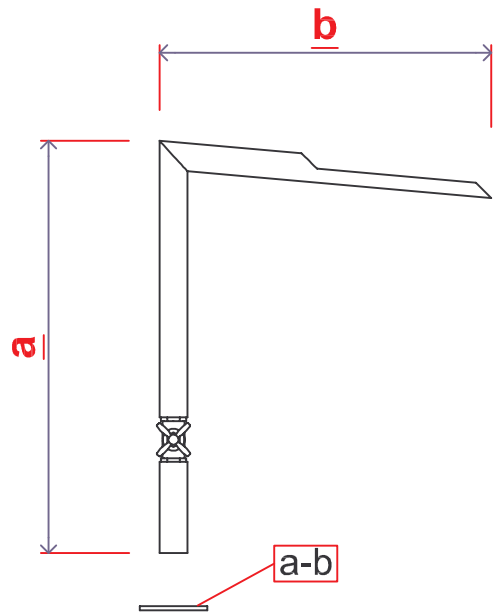
Datum-Data-Date

Wasserhahn mit Kreuzabsperrenteil und sichtbarem Wasserlauf
Rubinetto con valvola a croce e uscita acqua a vista
Water tap with cross valve and visible watercourse

a = _____ cm

b = _____ cm

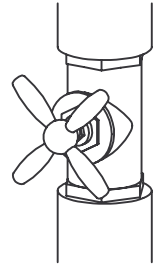
3050



art.3050 **a** = Ø60 mm
b = Ø80 mm

1" Innengewinde - Filetto interno - Inner Thread
Ø 45 mm Rohr - Tubo - Tube

Position
Posizione
Position



0° 90° 180° 270°

