

Stk:  
Pz:  
Pcs:

ART. 2150

# WASSERHAHN - RUBINETTO - WATER TAP

Kunde-Cliente-Client

Datum-Data-Date

Wasserhahn mit Kreuzabsperrventil  
Rubinetto con valvola di chiusura a croce  
Water tap with cross plug valve

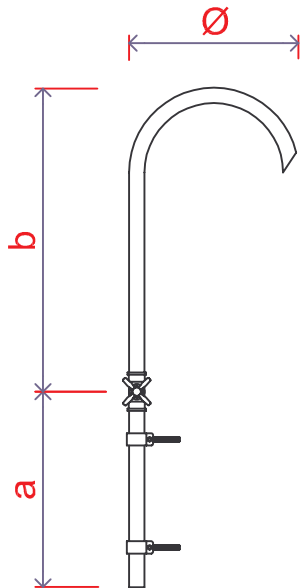
ART.2050 VERLÄNGERT - PROLUNGATO - EXTENDED

(ca.)  $\varnothing$  = \_\_\_\_\_ cm

a = \_\_\_\_\_ cm

b = \_\_\_\_\_ cm

TYP



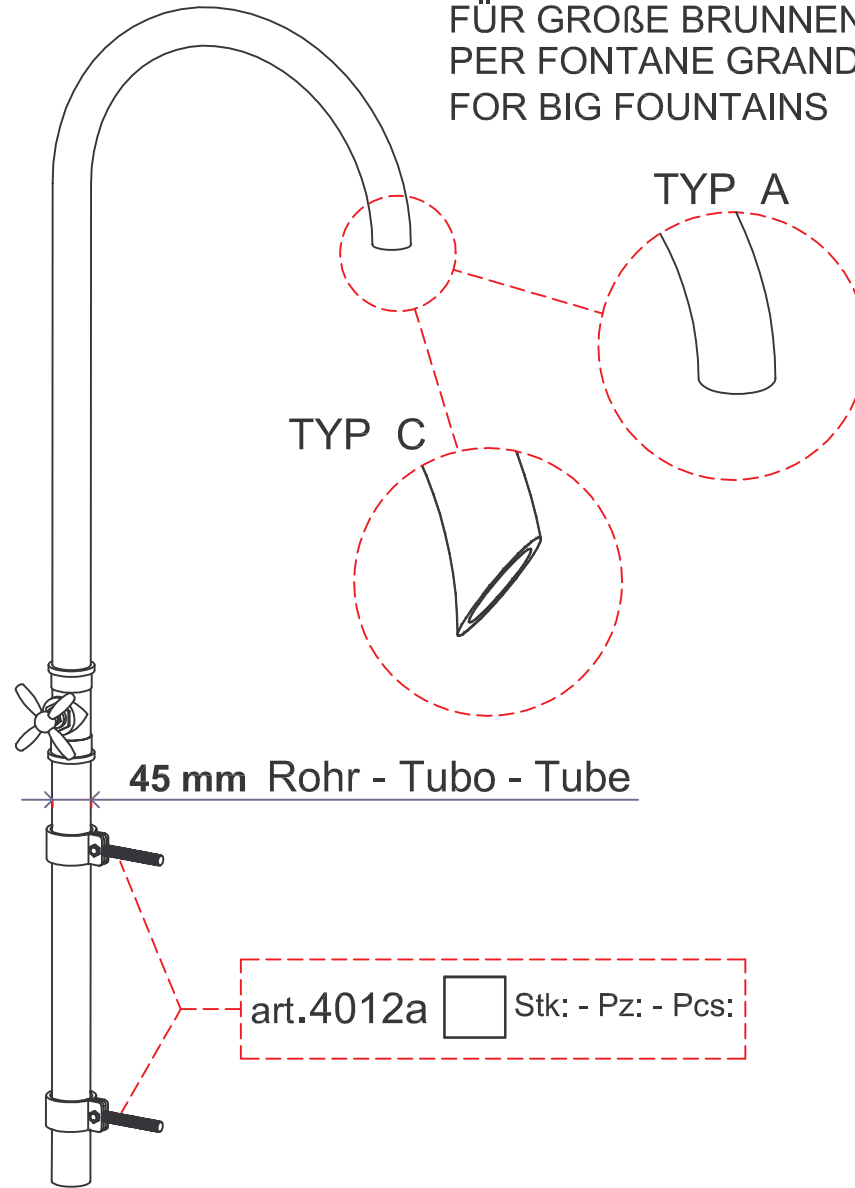
Empfohlen - Consigliate - Recommended

$\varnothing$ 41cm    b64cm

$\varnothing$ 46cm    b68cm

$\varnothing$ 51cm    b75cm

FÜR GROßE BRUNNEN  
PER FONTANE GRANDI  
FOR BIG FOUNTAINS



Position  
Posizione  
Position

