

Stk:  
Pz:  
Pcs:

ART. 2155

WASSERHAHN - RUBINETTO - WATER TAP

Kunde-Cliente-Client

Datum-Data-Date

Wasserhahn mit Kreuzabsperrrventil für große Brunnen  
Rubinetto con valvola a croce per fontana grande  
Water tap with cross valve for big fountain

ART.2055 VERLÄNGERT - PROLUNGATO - EXTENDED

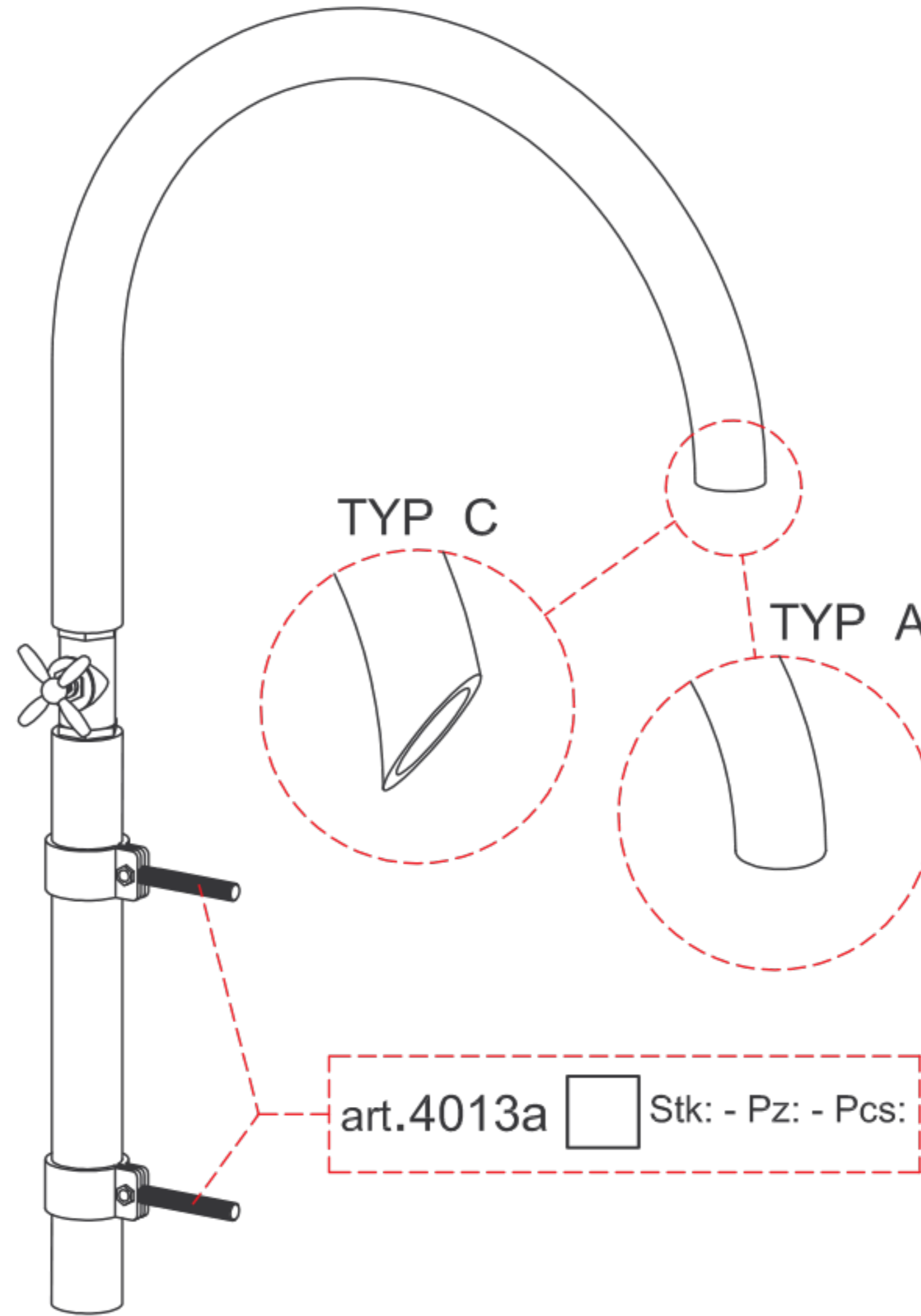
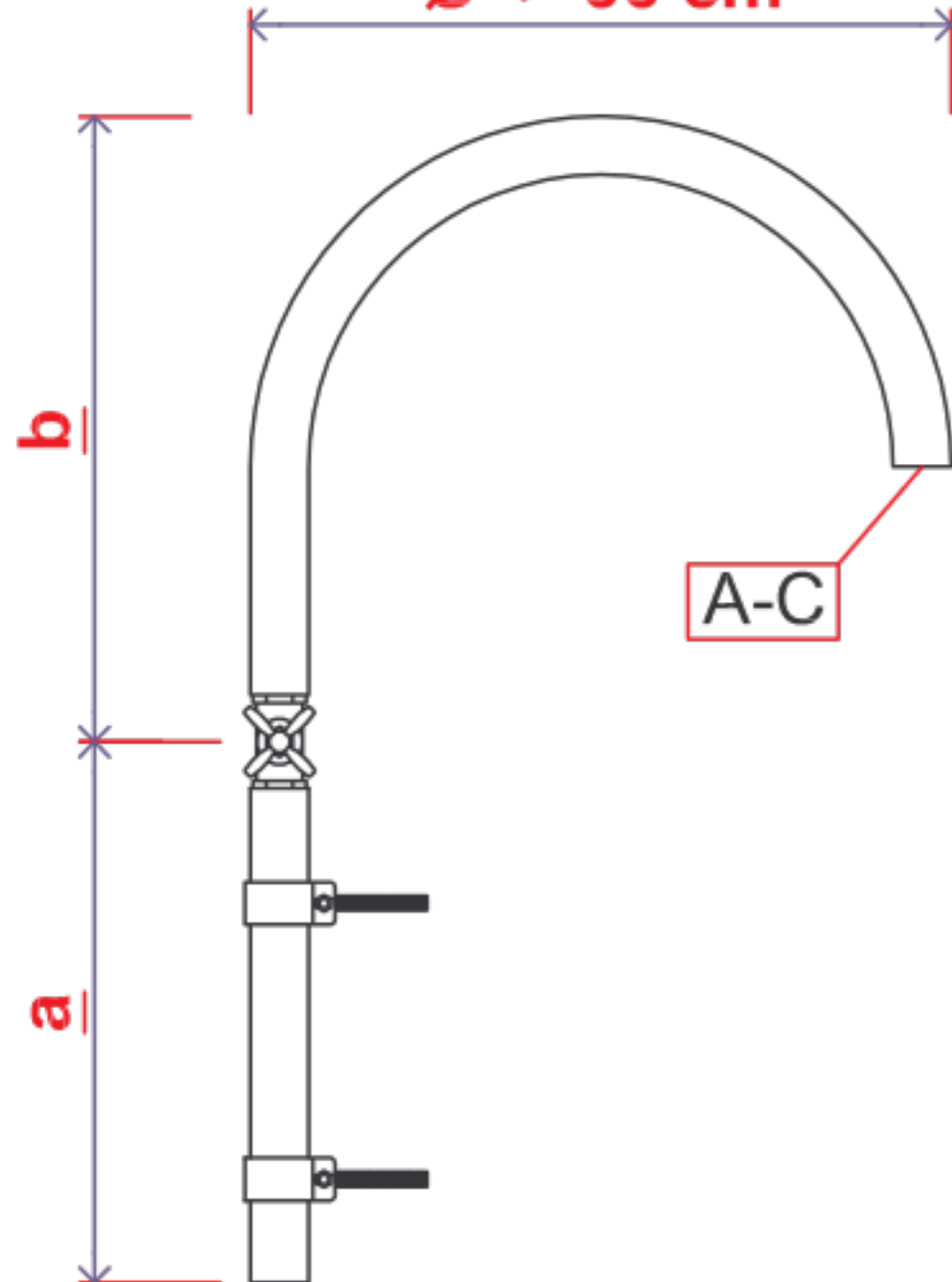
Ø = \_\_\_\_\_ cm

a = \_\_\_\_\_ cm

b = \_\_\_\_\_ cm

TYP

Ø > 66 cm



1 1/4" Innengewinde - Filetto interno - Inner Thread  
Ø 60 mm Rohr - Tubo - Tube

Position  
Posizione  
Position

