

Stk:
Pz:
Pcs:

ART. 2172

WASSERHAHN - RUBINETTO - WATER TAP

Kunde-Cliente-Client

Datum-Data-Date

Wasserhahn mit Kreuzabsperrrventil und sichtbarem Wasserlauf

Rubinetto con valvola a croce e uscita acqua a vista

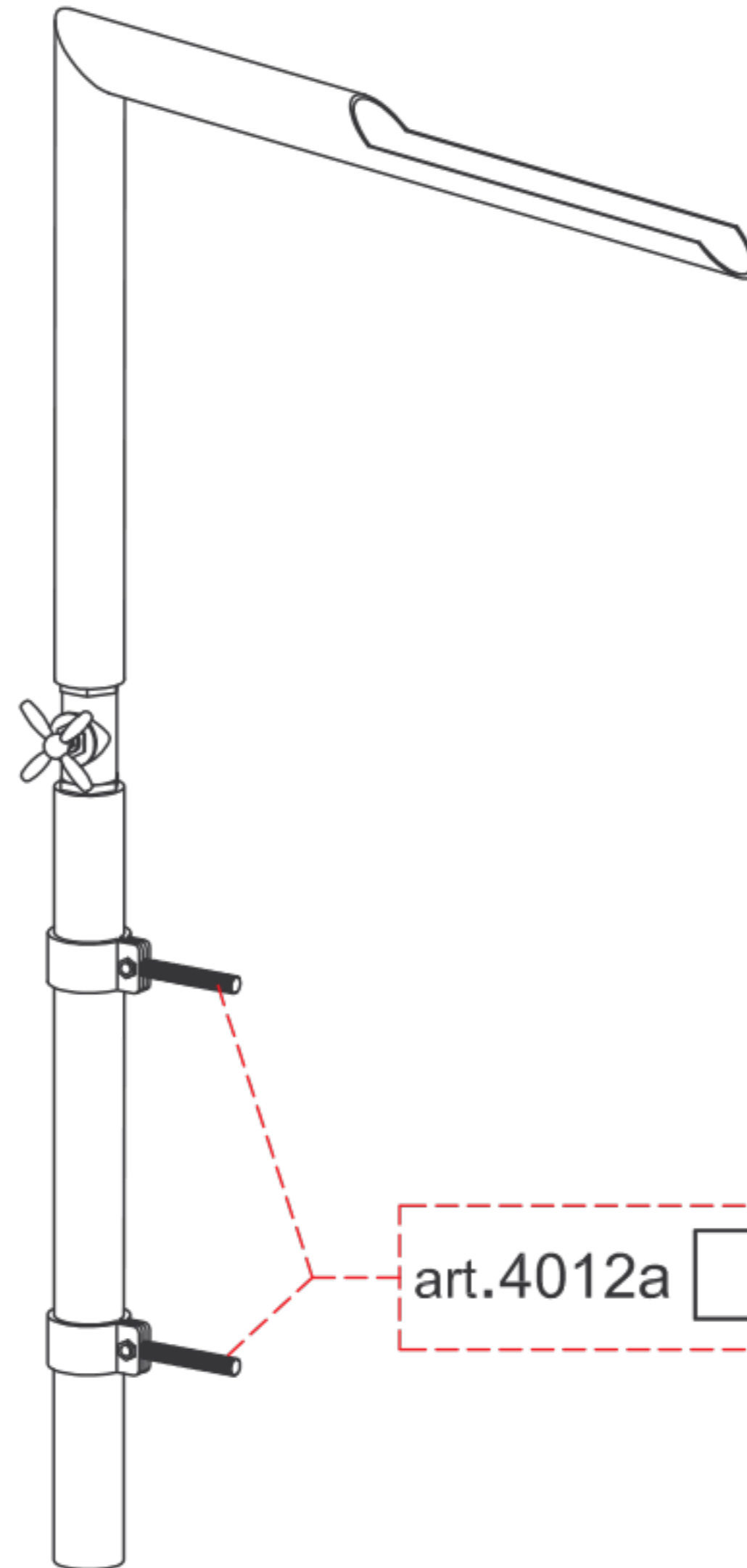
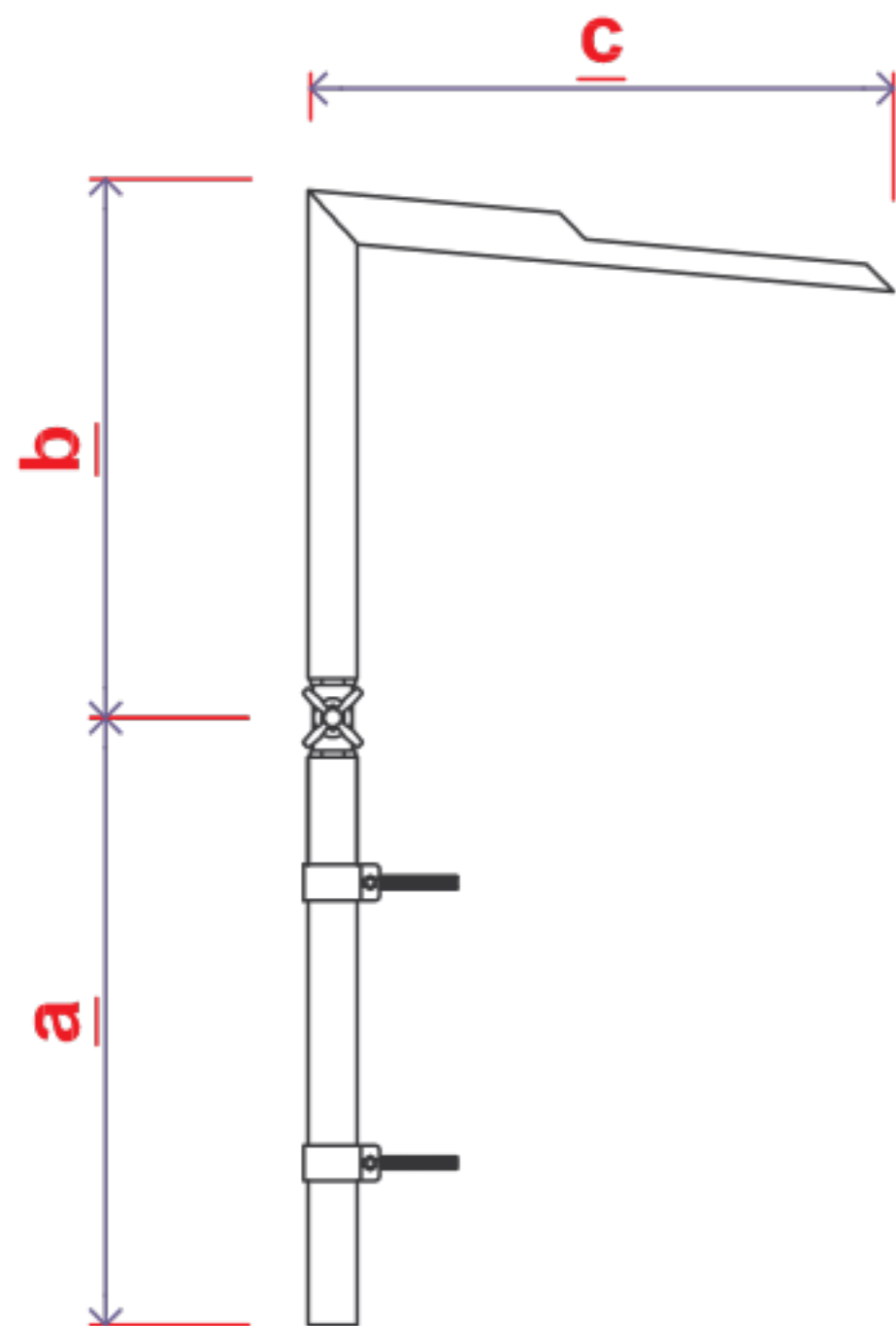
Water tap with cross valve and visible watercourse

ART.2072 VERLÄNGERT - PROLUNGATO - EXTENDED

a = _____ cm

b = _____ cm

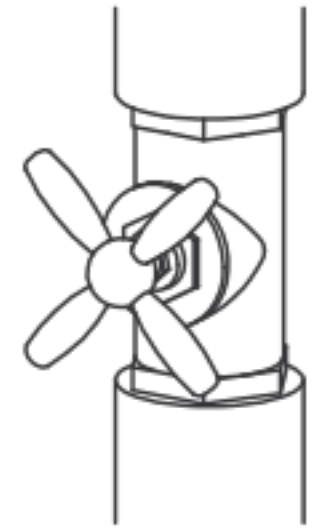
c = _____ cm



art.4012a Stk: - Pz: - Pcs:

1" Innengewinde - Filetto interno - Inner Thread
Ø 45 mm Rohr - Tubo - Tube

Position
Posizione
Position



0° 90° 180° 270°

