

Stk:
Pz:
Pcs:

ART. 2185

WASSERHAHN - RUBINETTO - WATER TAP

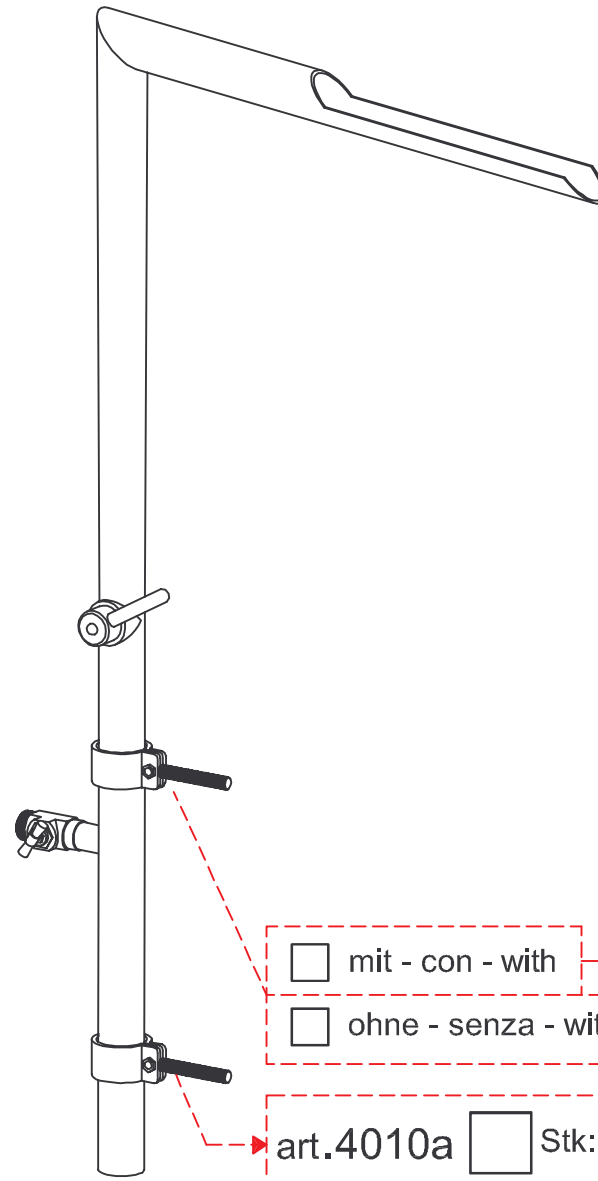
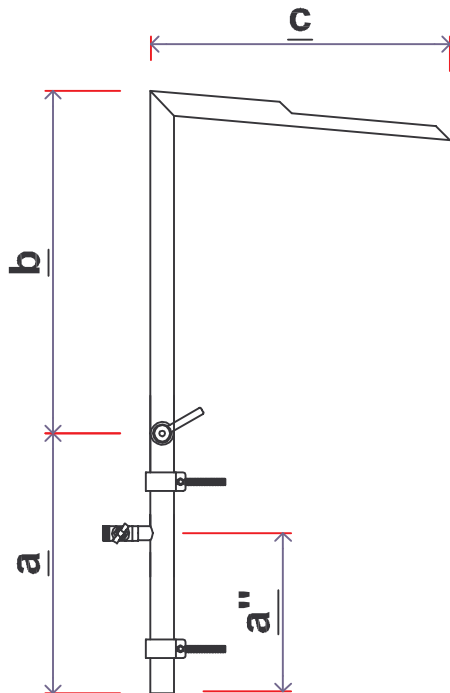
Kunde-Cliente-Client

Datum-Data-Date

Wasserhahn mit sichtbarem Wasserlauf,
mit Absperrventil und Schlauchanschluss
Rubinetto con scorrimento d'acqua a vista
con valvola d'arresto e attacco gomma
Water tap with running water in sight
with plug valve and hose connector

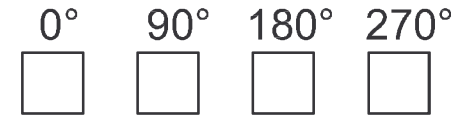
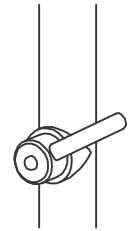
a = _____ cm b = _____ cm

c = _____ cm a'' = _____ cm

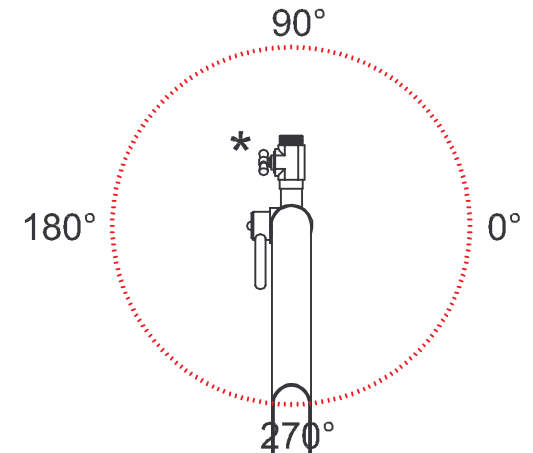


3/4" Innengewinde - Filetto interno - Inner Thread

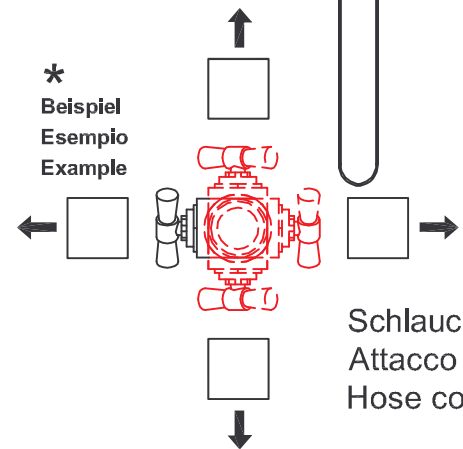
Absperrventil
Valvola d'arresto
Plug valve



Position - Posizione - Position



*
Beispiel
Esempio
Example



Schlauchanschluss
Attacco gomma
Hose connector