

Stk:  
Pz:  
Pcs:

ART. 2194

WASSERHAHN - RUBINETTO - WATER TAP

Kunde-Cliente-Client

Datum-Data-Date

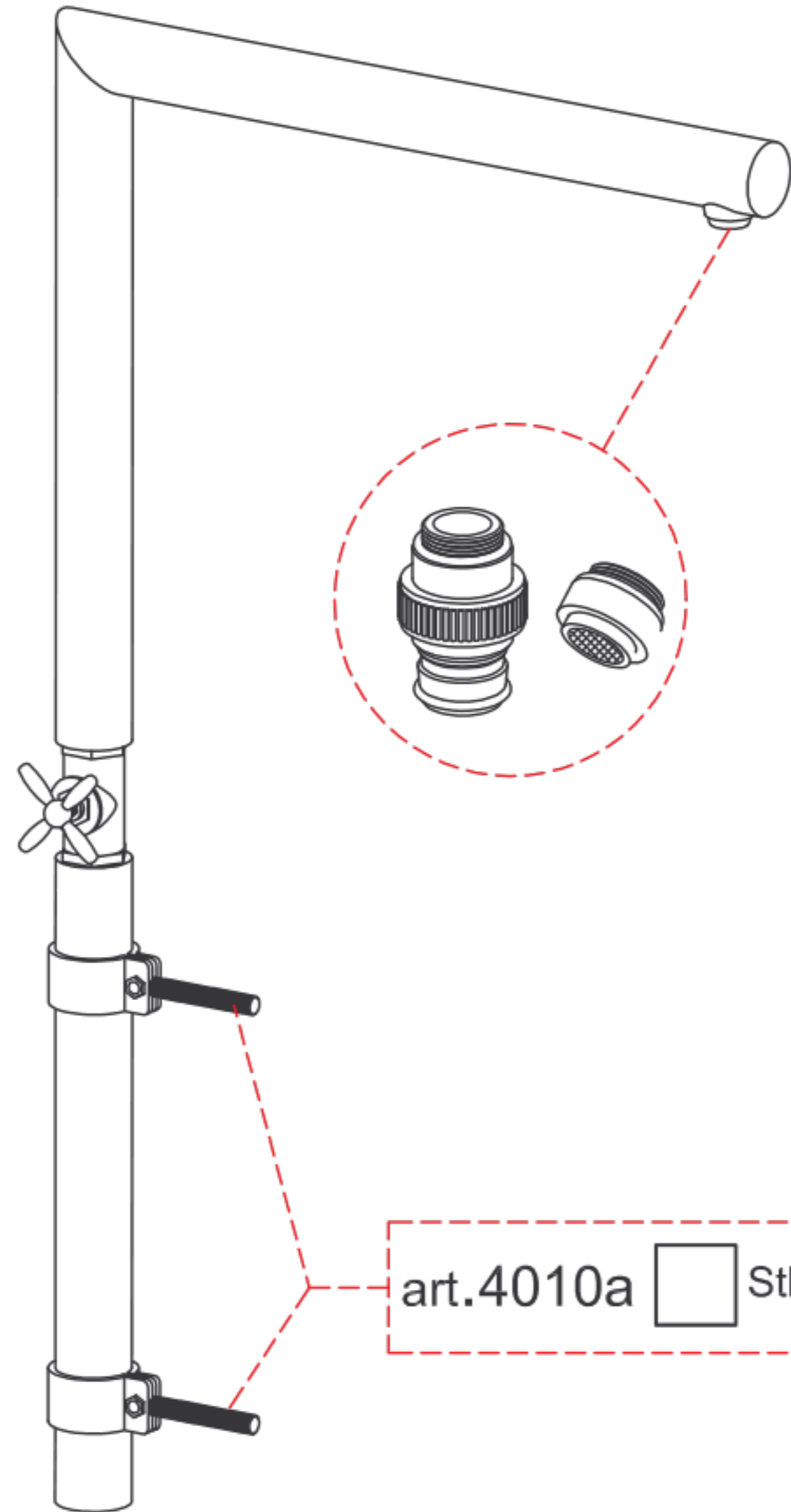
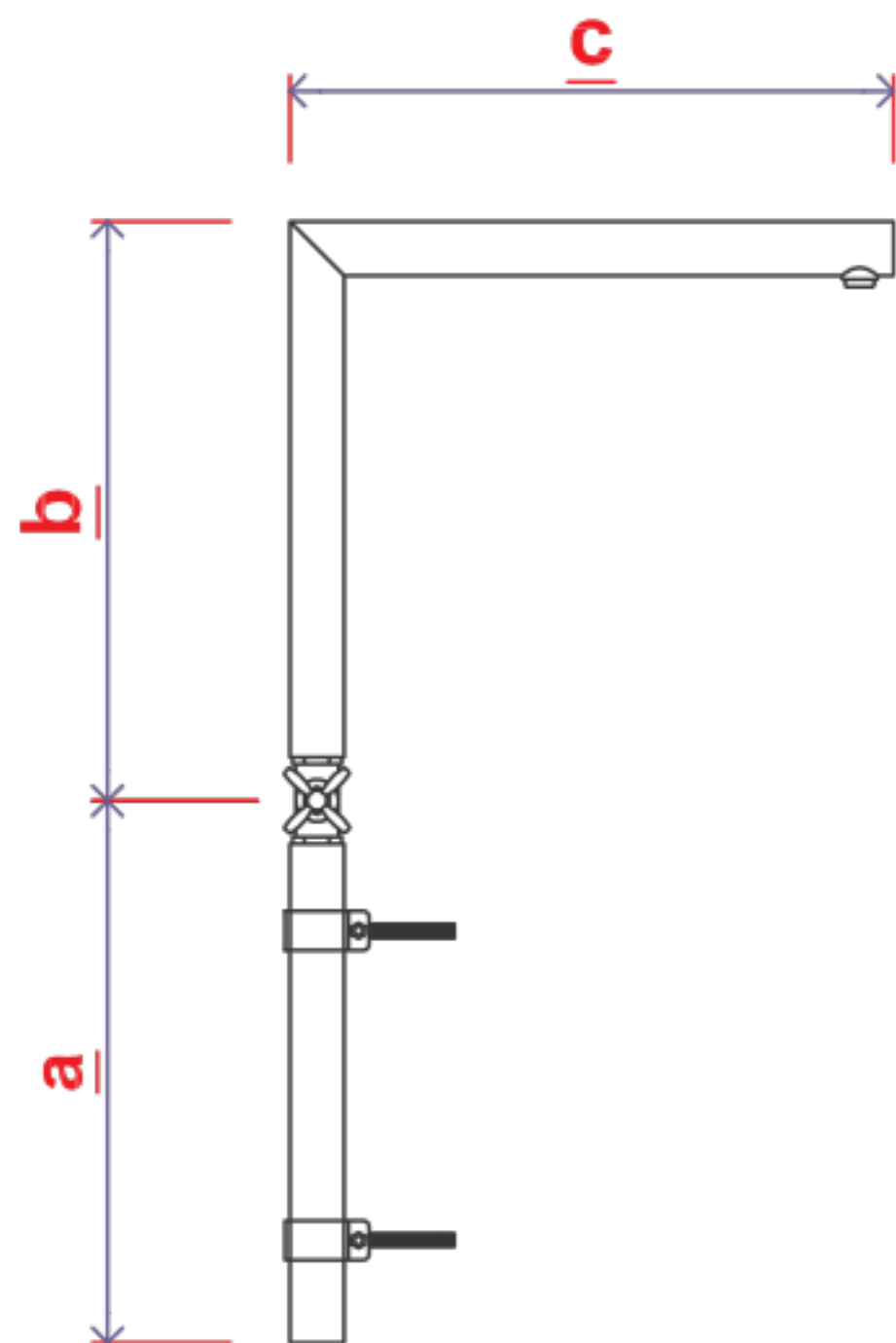
Wasserhahn mit Kreuzabsperrrventil,  
Schlauchanschluss und Perlator  
Rubinetto con valvola a croce,  
attacco tubo e perlatore  
Water tap with cross valve,  
tube connection and perlator

ART.2094 VERLÄNGERT - PROLUNGATO - EXTENDED

**a** = \_\_\_\_\_ cm

**b** = \_\_\_\_\_ cm

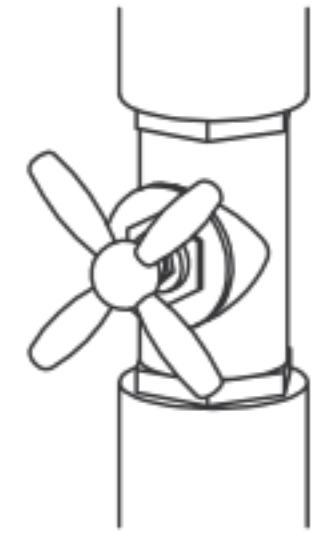
**c** = \_\_\_\_\_ cm



art.4010a  Stk: - Pz: - Pcs:

3/4" Innengewinde - Filetto interno - Inner Thread  
Ø 33 mm Rohr - Tubo - Tube

Position  
Posizione  
Position



0°    90°    180°    270°

