

Stk:
Pz:
Pcs:

ART. 2332

WASSERHAHN - RUBINETTO - WATER TAP

Kunde-Cliente-Client

Datum-Data-Date

Edelstahl - Wasserhahn mit Absperrventil, Schlauchanschluss und Perlator
Rubinetto in **acc. inox** con valvola a leva, attacco tubo e perlatore
Water tap in **stainless steel** with lever valve, tube connection and perlator

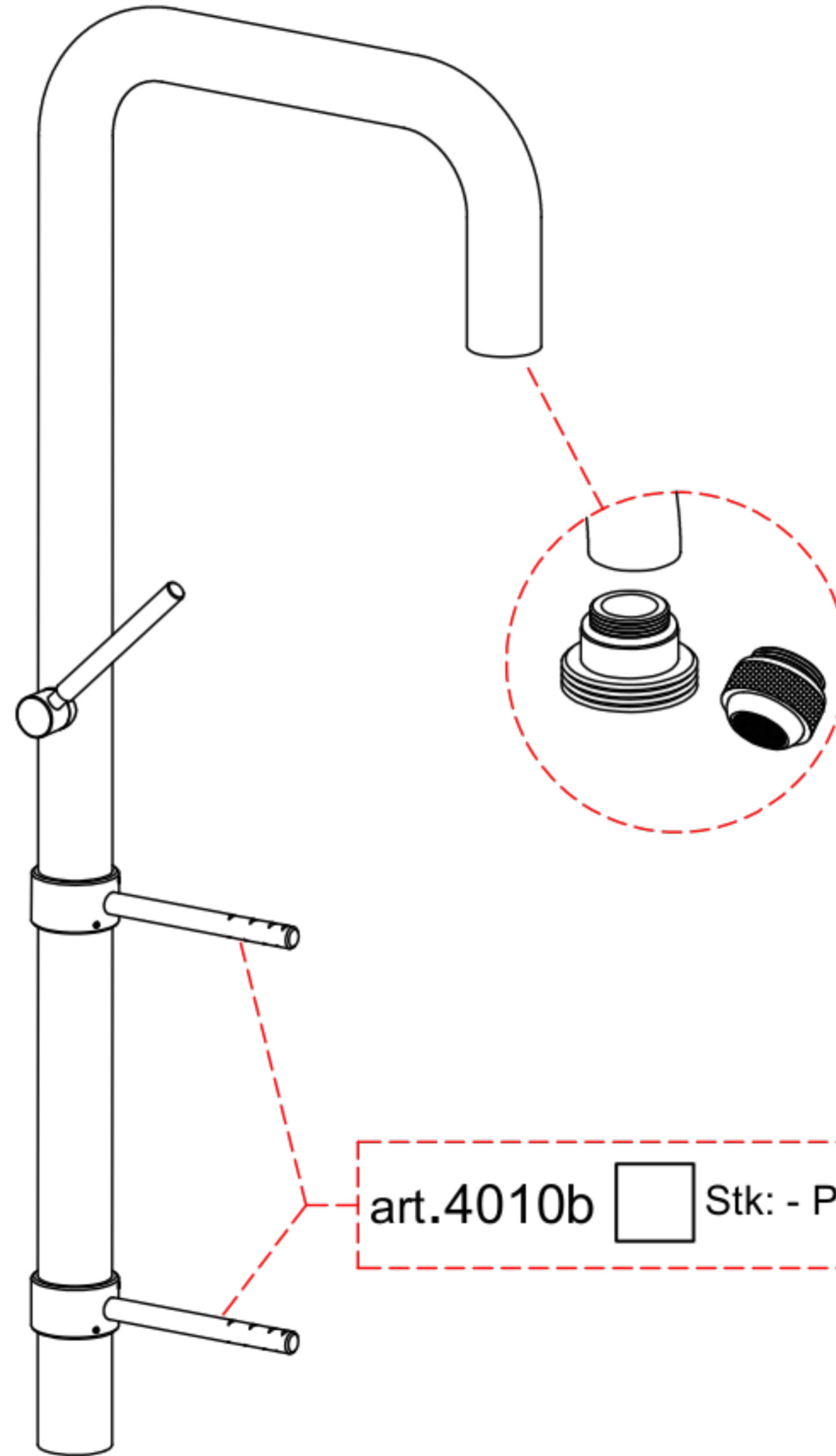
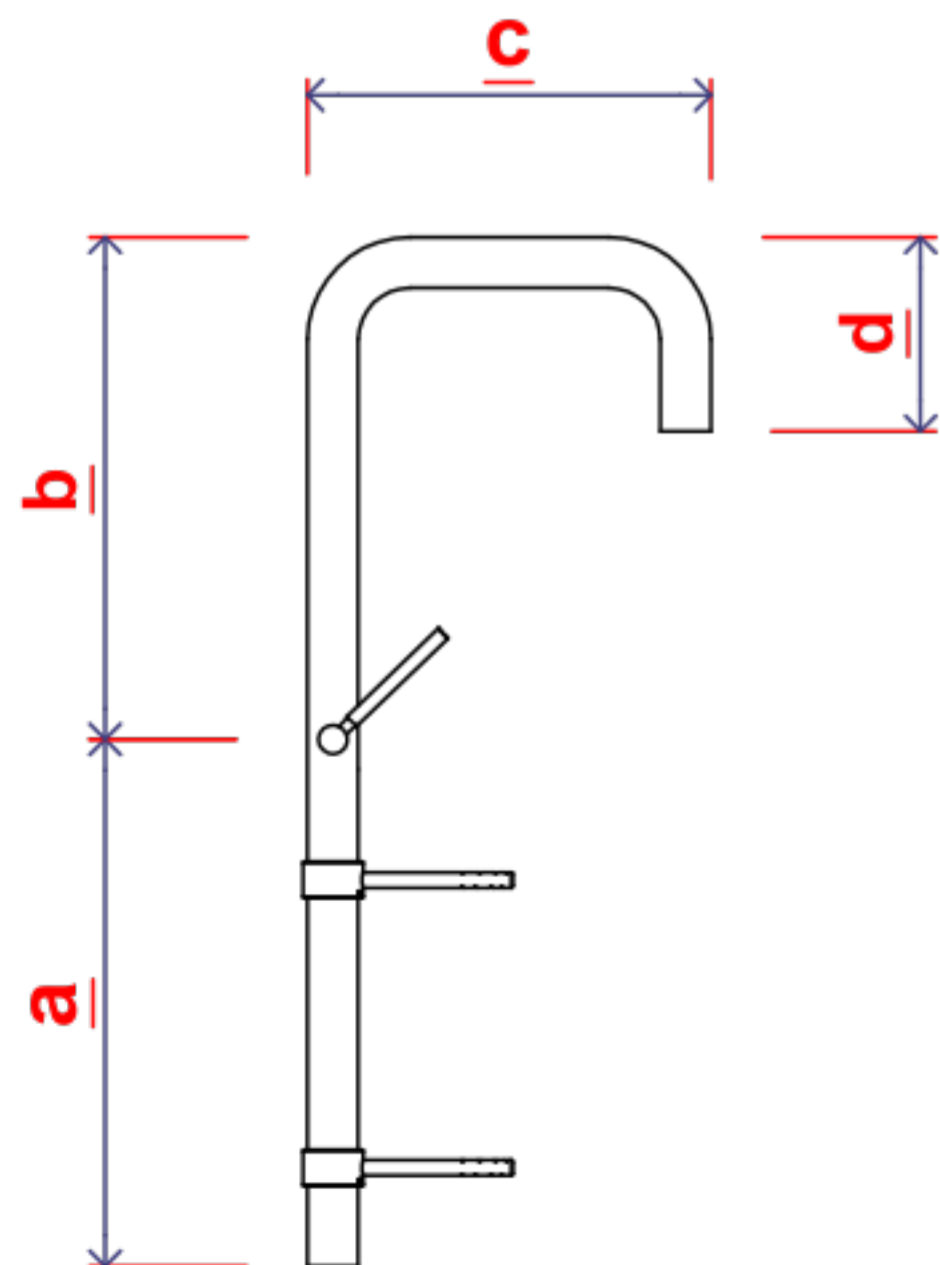
ART.2230 VERLÄNGERT - PROLUNGATO - EXTENDED

a = _____ cm

b = _____ cm

c = _____ cm

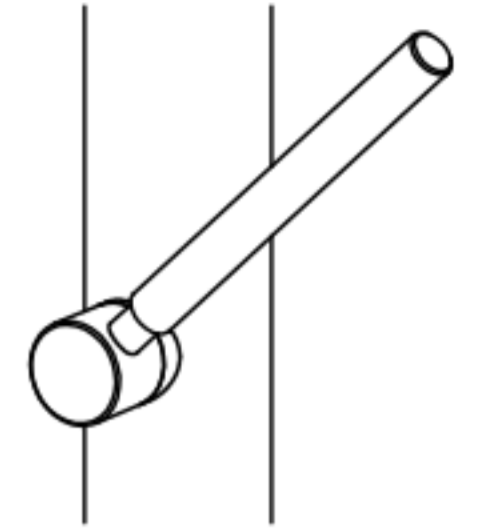
d = _____ cm



art.4010b Stk: - Pz: - Pcs:

1/2" Innengewinde - Filetto interno - Inner Thread
Ø 33 mm Rohr - Tubo - Tube

Position
Posizione
Position



0° 90° 180° 270°

